



Mil-OScreen®



Definition :

Mil-OScreen® is a concept ensuring the interconnection of MIL-STD connectors on shielded multicore cables according to the mechanical & electrical performances defined in the Agilink Ivry specification Mil-OScreen® Rev 4.0

Performances :

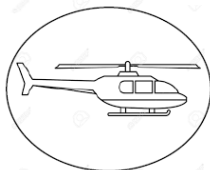
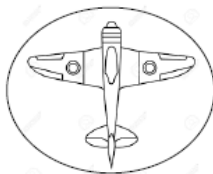
Vibrations according to NF EN 60068-2-6, sinusoidales 5 to 2000Hz
Mechanical shocks according to MIL-STD-810G, 40G / 11ms
Aging according to EN60068-2-2, 1000 hours at +105°C
Thermal shocks according to MIL-STD-810G - Method 503.5, -40°C / +105°C
Immersion tightness, 1 meter of water for 30 minutes (IP67)
Shielding effectiveness, Zt > 60dB@100MHz

Benefits :

Simplified definition of the cable / connector interconnection
"All-in-one" concept
Optimized performance
Reliable and robust assembly
Reduced cost

Applications :

Defense, Aeronautics, Marine, Transport
Military communications
Armored vehicles
Armament Audio, video transmissions





Mil-OScreen®

Selection guide:

Mil-OScreen® product _____ MOS - I - PL - 09 - 00

Connector family: _____
 I = MIL-C-38999 Series I & HE308
 III = MIL-C-38999 Series III
 For other please consult us

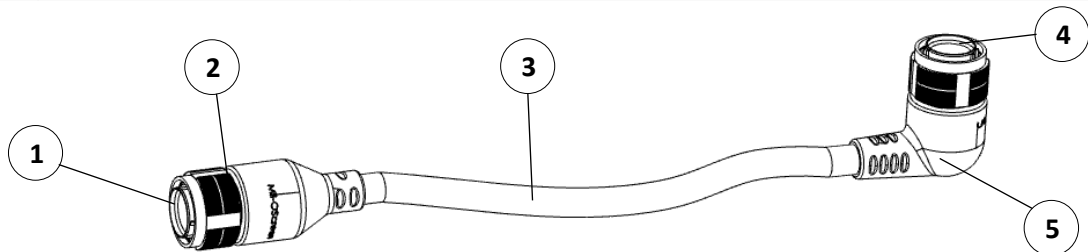
Connector type: _____
 PL = Plug
 EC = Square flange receptacle
 EE = Jam nut receptacle

Connector size : _____
 Numbering according to standard MIL (09 to 25)

Rear connector exit : _____
 00 = Straight exit
 90 = Right angle exit
 xx = Special angle under request

Example of BOM with Mil-OScreen® :

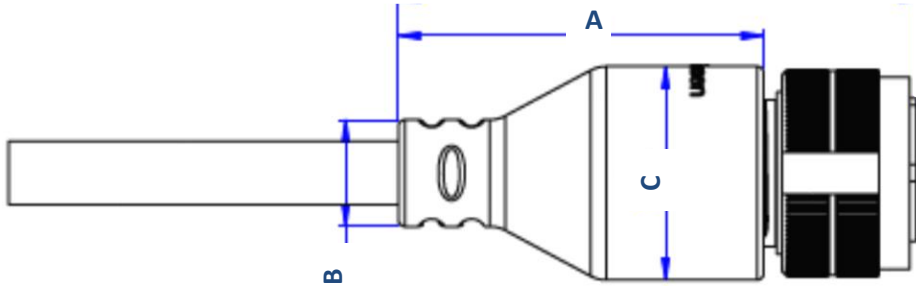
Item	Référence	Description
1	D38999/26WD35-PN	Plug III serie, olive drab, size 15, layout 35P, standard polarization
2	MOS-III-PL-15-00	Mil-OScreen® III serie, plug, size 15, straight exit
3	SH8312	4 paires AWG24 shielded cable
4	D38999/26WD35-PN	Plug III serie, olive drab, size 15, layout 35P, standard polarization
5	MOS-III-PL-15-90	Mil-OScreen® III serie, plug, size 15, right angle exit





Mil-OScreen®

Dimensions : Straight version



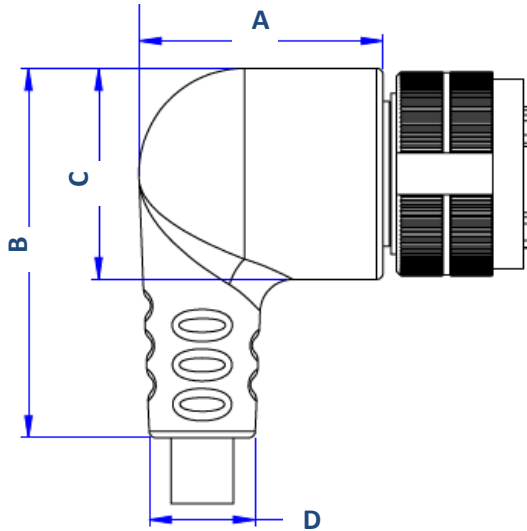
Connector size	Ref Agilink	A	B	C	Ø Cable Maxi
9	MOS-xx-xx-09-00	43	12	23	8
11	MOS-xx-xx-11-00	45	13.5	26	9.5
13	MOS-xx-xx-13-00	50	17.5	29	13.5
15	MOS-xx-xx-15-00	55	18.5	32	14.5
17	MOS-xx-xx-17-00	58	20.5	36	16.5
19	MOS-xx-xx-19-00	60	23	39	19
21	MOS-xx-xx-21-00	62	26	42	22
23	MOS-xx-xx-23-00	65	27	45	23
25	MOS-xx-xx-25-00	67	28	48	24

Dimensions in mm



Mil-OScreen®

Dimensions : Right angle version



Connector size	Ref Agilink	A	B	C	D	Ø Cable Maxi
9	MOS-xx-xx-09-90	32	42	23	12	8
11	MOS-xx-xx-11-90	35	46	26	13.5	9.5
13	MOS-xx-xx-13-90	36	51	29	17.5	13.5
15	MOS-xx-xx-15-90	37	56	32	18.5	14.5
17	MOS-xx-xx-17-90	42	60	36	20.5	16.5
19	MOS-xx-xx-19-90	45	63	39	23	19
21	MOS-xx-xx-21-90	49	67	42	26	22
23	MOS-xx-xx-23-90	52	71	45	27	23
25	MOS-xx-xx-25-90	55	75	48	28	24

Dimensions in mm